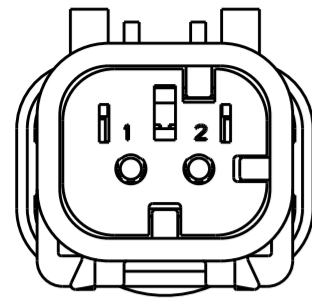
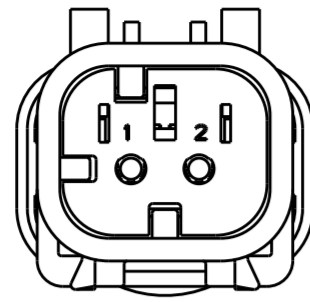


THIS DRAWING IS UNPUBLISHED. RELEASED FOR PUBLICATION  
 © COPYRIGHT 20 BY - ALL RIGHTS RESERVED.

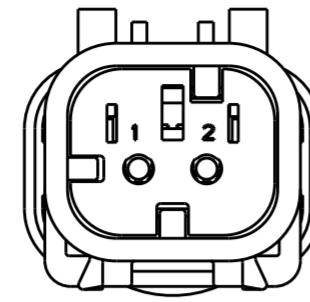
REVISIONS				
P	LTR	DESCRIPTION	DATE	APVD
E		REVISED PER ECO-13-019067	05DEC2013	DR RB



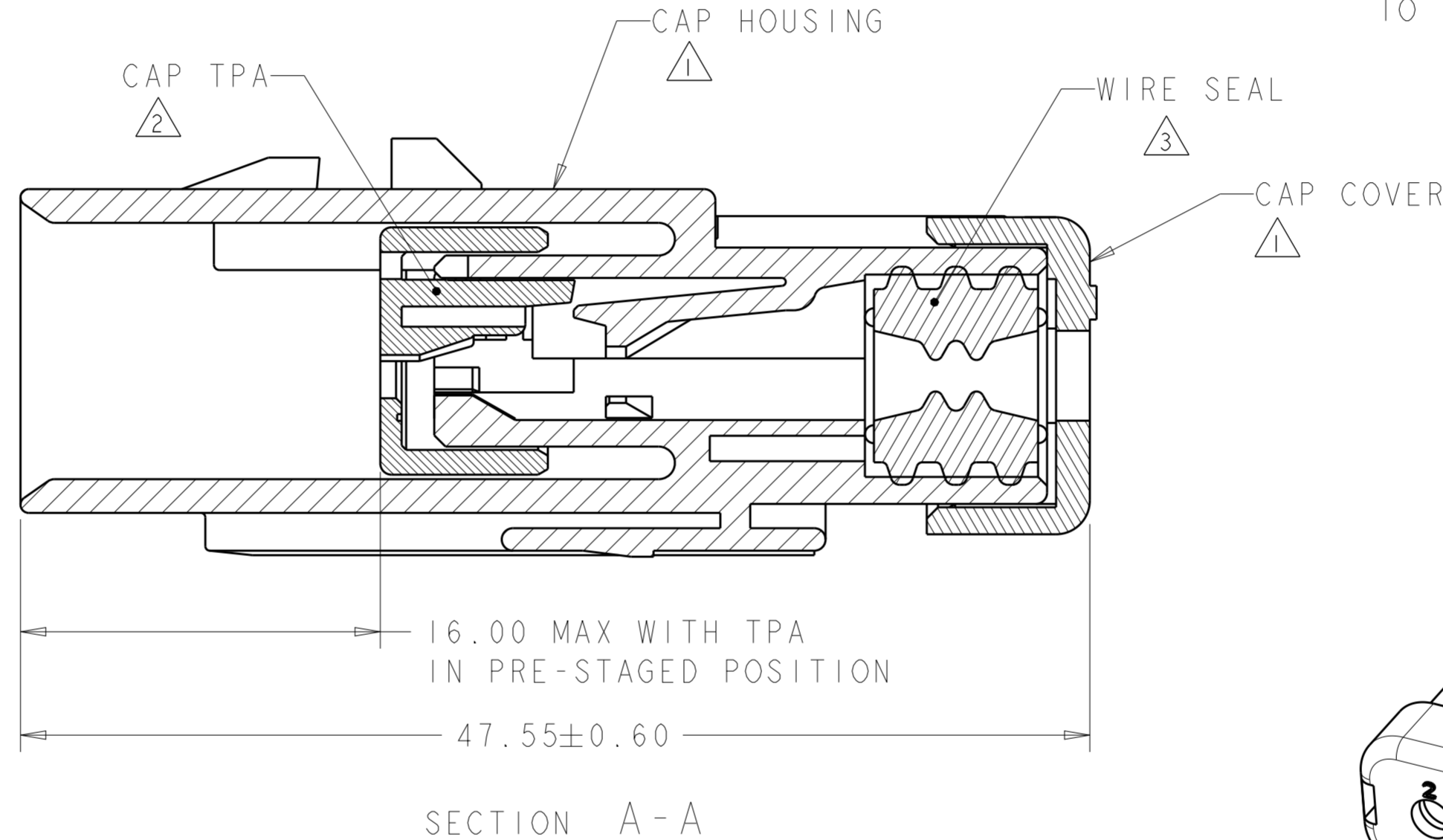
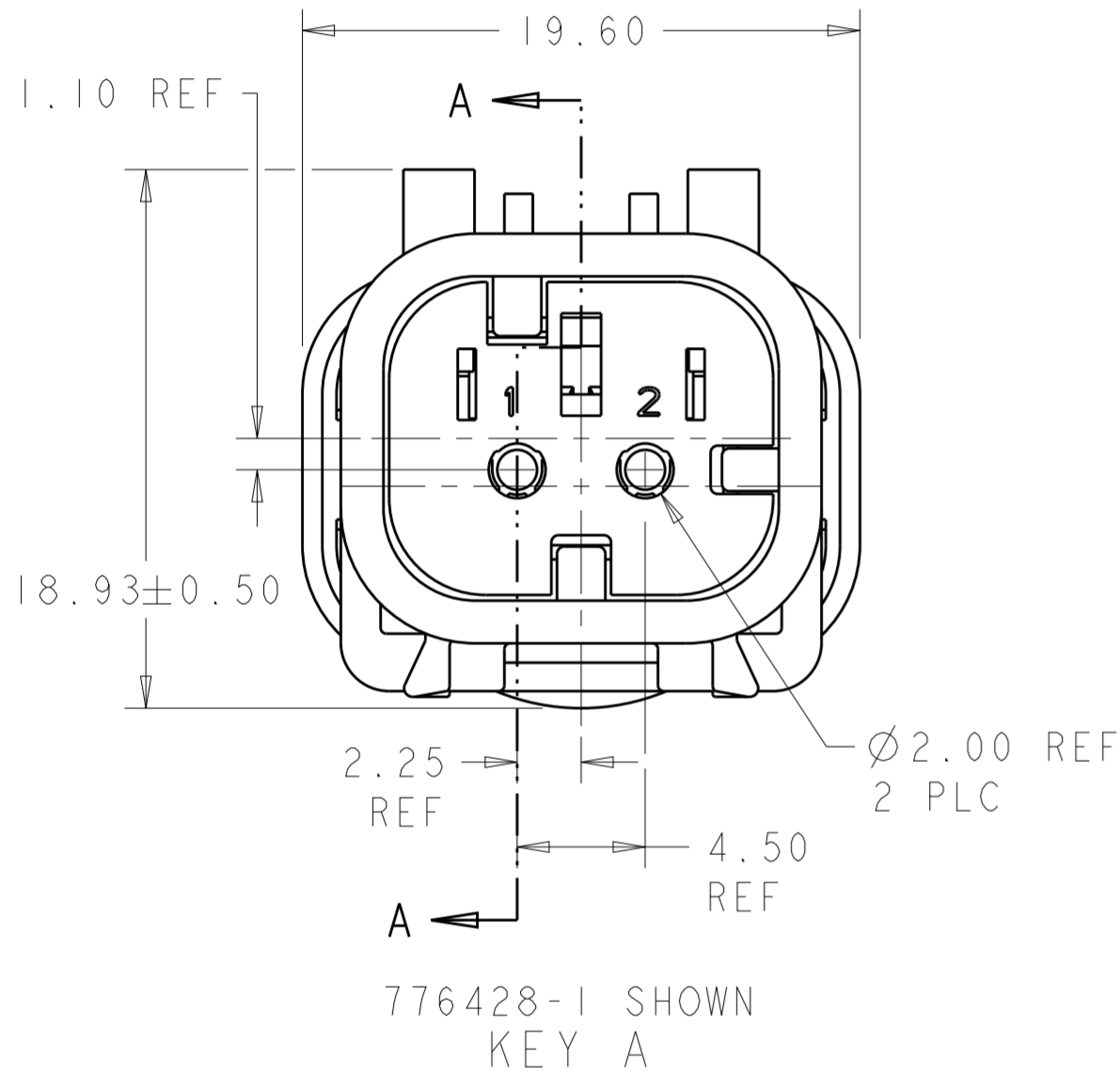
776428-2  
SCALE 2:1  
KEY B



776428-3  
SCALE 2:1  
KEY C



776428-4  
SCALE 2:1  
KEY D

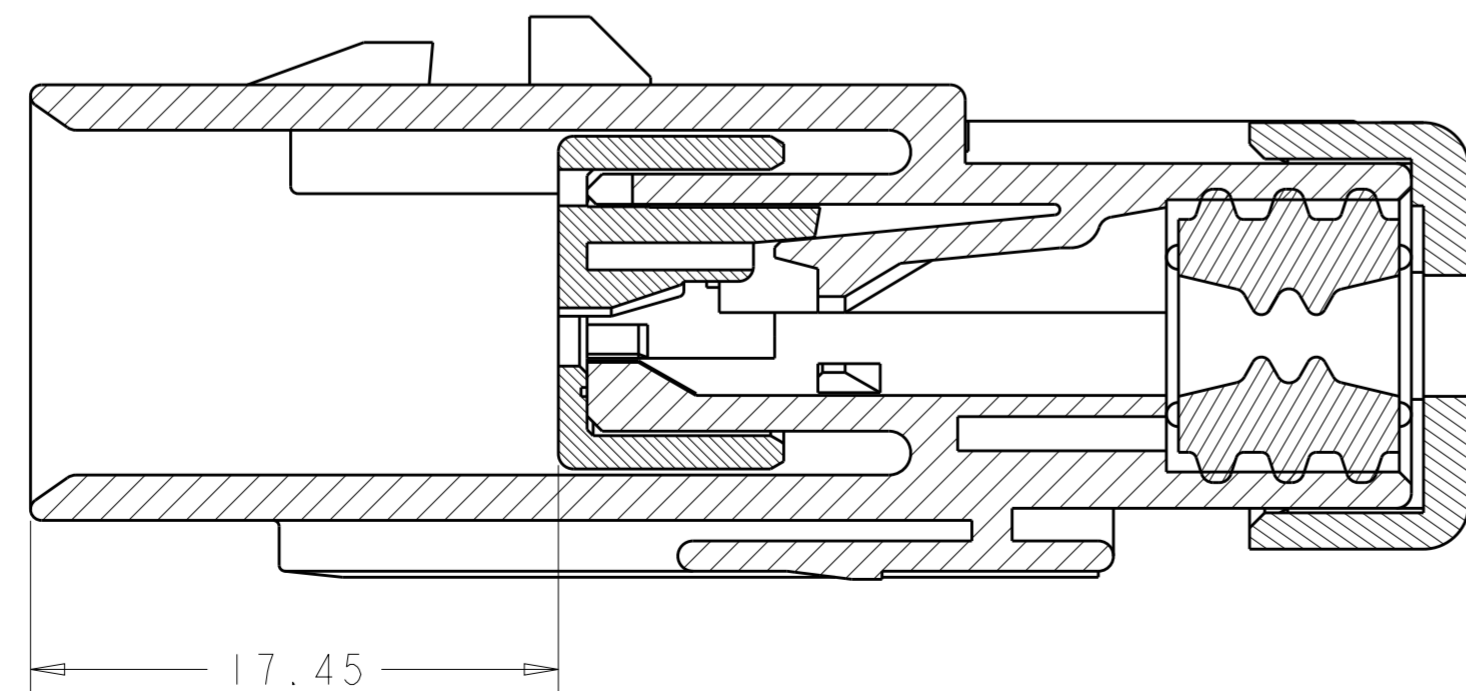
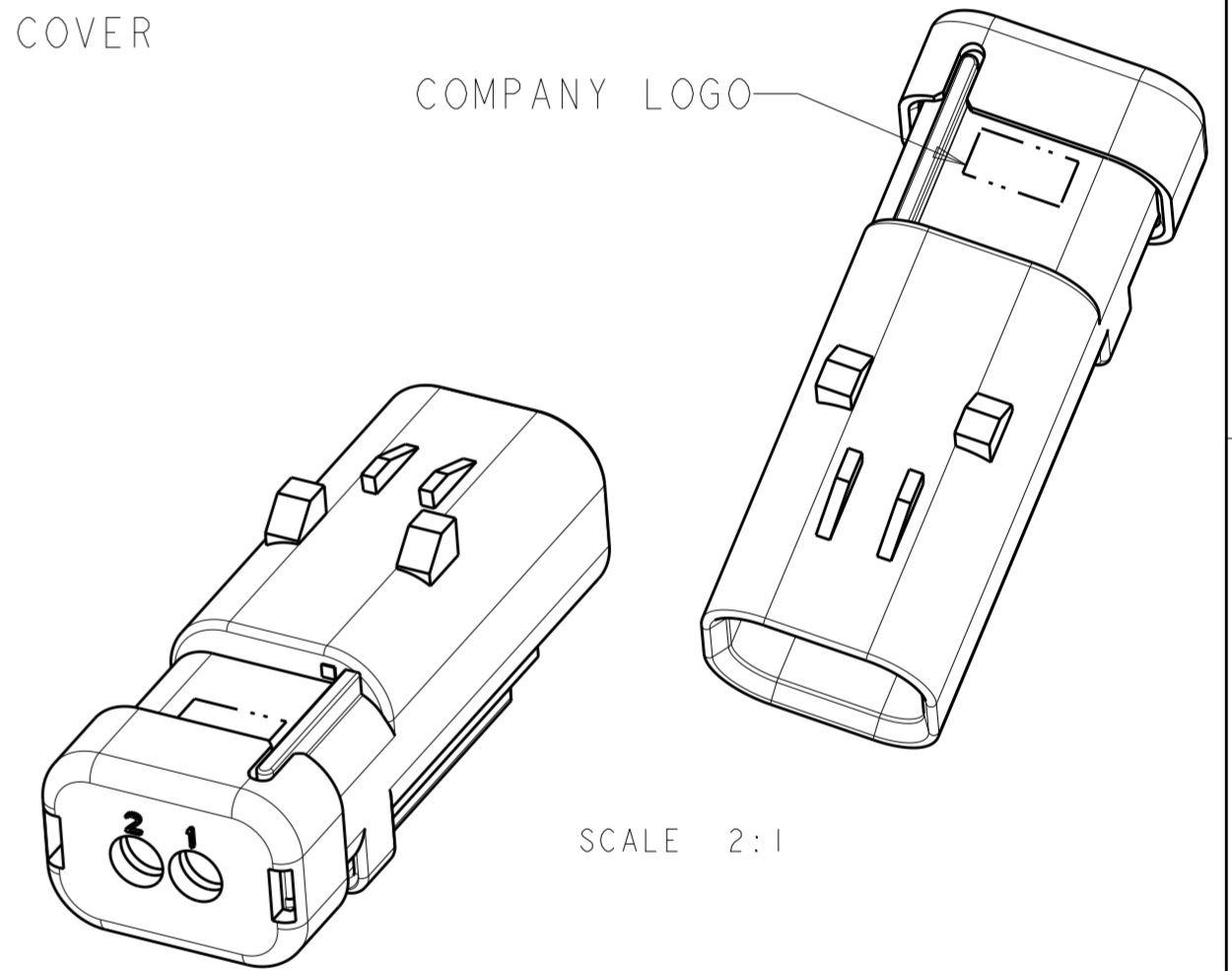


1 MATERIAL: 15% GLASS FILLED THERMOPLASTIC  
COLOR: BLACK

2 MATERIAL: 15% GLASS FILLED THERMOPLASTIC  
COLOR: (SEE TABLE)

3 MATERIAL: SILICONE  
COLOR: MARINE BLUE

4. RECOMMENDED WIRE DIAMETER RANGE IS 2.18 TO 3.67mm.



GREEN	776428-4
YELLOW	776428-3
GRAY	776428-2
RED	776428-1
TPA COLOR	PART NUMBER

DIMENSIONS:		TOLERANCES UNLESS OTHERWISE SPECIFIED:		DWN Y. PETERSON 22FEB2000		APVD M. TRULLI 11DEC2001		NAME	
mm	0 PLC ±	1 PLC ±	2 PLC ±	3 PLC ±	4 PLC ±	108-2184	114-13065	SIZE	RESTRICTED TO
	ANGLES ±	FINISH				114-13065	9	A200779	C-776428
MATERIAL						Customer Drawing	SCALE 4:1	SHEET	OF
									REV E

**STE** TE Connectivity

CAP ASSEMBLY,  
2 POSITION, SINGLE ROW,  
AMPSEAL 16